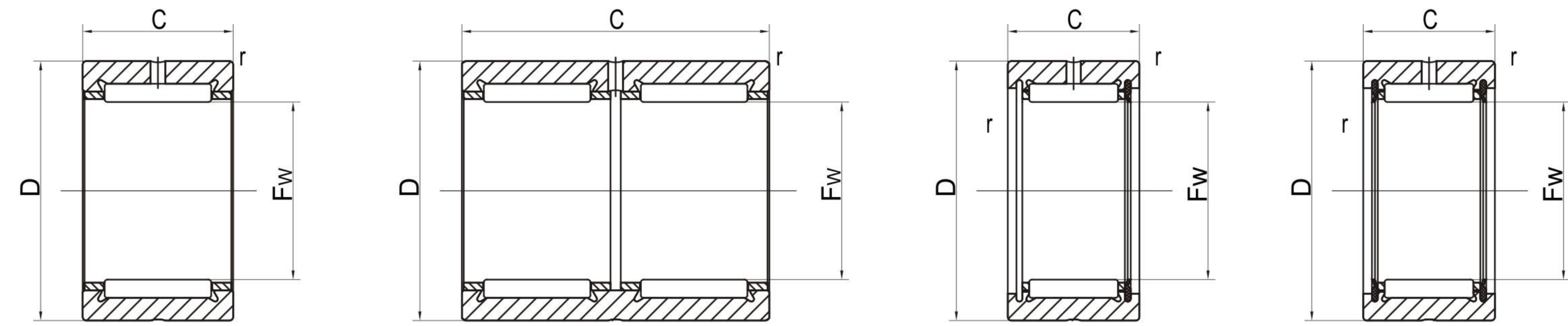




## 实体套圈滚针轴承 (无内圈)

Entity bushed needle roller bearing (without inner ring)

## 图示 Illustration



NK、NKS、RNA49、RNA69

RNA69..-ZW

RNA49..-RSR

RNA49..-2RSR

## 产品介绍:

XH可提供轴承无内圈, 使用于径向安装尺寸受限制的支承结构, 与轴承相配合的轴径直接作为滚动面。同时作为滚动面的轴, 必须淬硬并进行研磨, 而且只有将其加工到适合的尺寸和形状精度时, 整套滚针轴承才能获得较高的寿命及运动精度。

## Product introduction:

XH can provide bearings without inner rings, which are used in supporting structure where radial installation dimension is limited and shaft journal directly used as raceway surface. Meanwhile the shaft of the raceway surface must be hardened and ground, and only when machined to proper dimension and shape precision, can the whole set of bearing achieve longer service life and higher motion precision.

Fw	基本尺寸 (mm) Basic dimension			基本额定载荷 (KN) Basic load rating		极限转速脂油 Limit speed Grease / Oil		轴承代号 Bearing designation	重量 Weight W≈kg
	D	C	r <sub>min</sub>	Cr	Cor	min-1			
15	16	20	0.3	12.9	18.4	12000	19000	NK 15/20	
20	28	16	0.3	11.5	17.3	10000	16000	NK 20/16	
	32	12	0.3	10.0	10.9	9500	15000	RNA 203212	
24	36.5	17	0.3	21.0	24.9	9000	13000	RNA 2436.517	
25	33	16	0.3	11.8	19.2	9000	13000	NK 25/16	
	34.5	16.5	0.3	14.8	22.0	9000	13000	RNA 2534.516.5/P6	
	37	17	1.0	19.8	23.3	8000	12000	RNA 4904	0.052
26	40	20	0.3	24.9	29.2	8000	12000	RNA264020/YA2	
28	39	17	0.3	19.9	24.1	7500	11000	RNA49/220.050	0.052
	42	20	0.6	31.9	40.9	7500	11000	NKS 28	
30	45	22	0.6	34	42.2	7000	10000	RNA 304522	
	48	18	0.3	35.7	38.5	7000	10000	NK 30x48x18	
	50	17	1.0	28.9	30.6	7000	10000	NK30x50x17-IN	
	51	17	1.0	36.9	35.4	7000	10000	NK30x51x17-I/YA	
32	47	27	0.3	35.6	52.9	7000	10000	RNA 324727	
32.766	9.213	28.575	0.4	66.7	92.4	6300	9000	RNA 32.749.228.5	
30	45	20	0.3	24.8	41.5	7000	10000	NK 35/20	0.0731
	45	30	0.3	37.5	70.5	7000	10000	NK 35/30	0.11
	47	17	0.3	25.5	35.5	7000	10000	RNA 4906	0.0747
	47	30	0.3	42.8	68.5	7000	10000	RNA 6906	0.133
37	47	20	0.3	25.2	43.2	6300	9000	NK37/20	0.0765
	47	30	0.3	38.2	70	6300	9000	NK37/30	0.115

## 实体套圈滚针轴承 (无内圈)

Entity bushed needle roller bearing (without inner ring)



Fw	基本尺寸 (mm) Basic dimension			基本额定载荷 (KN) Basic load rating		极限转速脂油 Limit speed Grease / Oil		轴承代号 Bearing designation	重量 Weight W≈kg
	D	C	r <sub>min</sub>	Cr	Cor	min-1			
38	48	20	0.3	26.0	45.2	6300	9000	NK 38/20	0.0785
	48	30	0.3	39.2	77.0	6300	9000	NK 38/30	0.118
40	50	20	0.3	26.5	47.2	6300	9000	NK 40/20	0.0819
	50	30	0.3	40.0	80.2	6300	9000	NK 40/30	0.123
	52	20	0.6	31.5	48.5	6300	9000	RNA 49/32	0.0987
	52	22	0.6	25.8	45.7	6300	9000	NK 40/22	
	52	36	0.6	48.0	83.2	6300	9000	RNA69/32	0.16
	55	22	0.6	39.2	54.9	6000	8500	NKS 40	
	57	22	1.1	36.1	49.4	6000	8500	RNA 405722	
	57	27	2.0	38.8	63.2	6000	8500	RNA 405727	
42	52	20	0.3	27.0	49.0	6000	8500	NK 42/20	0.0853
	52	30	0.3	40.8	83.5	6000	8500	NK 42/30	0.128
	55	20	0.6	32.5	51.0	6000	8500	RNA 4907	0.116
	55	26	0.6	49.5	87.5	6000	8500	RNA 6907	0.19
43	53	20	0.3	27.5	50.8	5600	8000	NK 43/20	0.0873
	53	30	0.3	41.5	86.5	5600	8000	NK 43/30	0.0132
45	55	20	0.3	28.0	52.8	5300	7500	NK 45/20	0.0907
	55	30	0.3	42.5	89.8	5300	7500	NK 45/30	0.137
	58	20	0.3	27.2	51.2	5600	8000	RNA 455820	
	62	22	1.7	32.0	51.3	5600	8000	RNA 45622-1	
	62	27	1.1	40.7	59.9	5600	8000	RNA 456227	
	57	20	0.3	29.2	56.5	5000	7000	NK 47/20	0.0947
47	57	30	0.3	44.2	96.2	5000	7000	NK 47/30	0.143
	62	22	0.6	43.5	66.2	5000	7000	RNA 4908	0.146
48	62	40	0.6	62.8	108	5000	7000	RNA 6908	0.26
	62	25	0.6	38.8	74.2	4800	6700	NK 50/25	0.154
50	62	35	0.6	51.8	108	4800	5700	NK 50/35	0.215
	65	22	1.0	42.8	70.8	5000	7000	NKS 50	
	67	20	1.1	45.1	62.2	5000	7000	RNA 506720	
	67	22	1.1	50.3	71.6	5000	7000	RNA 5062	
	67	27	1.1	43.6	79.6	5000	7000	RNA 506727	
	67	27	1.1	43.6	79.6	5000	7000	RNA 506727	
50.8	65	22.2	1.5	36.5	63.0	5000	7000	46449/42K	
	65.088	22.225	1.0	40.3	72.2	5000	7000	MR324114	
52	68	22	0.6	46.0	73.0	4800	6700	RNA 49090.194	
	68	40	0.6	67.2	118	4800	6700	RNA 69090.34	
55	68	25	0.6	41.0	82.5	4500	6300	NK 55/250.188	
	68	35	0.6	54.8	120	4500	6300	NK 55/350.264	
	72	22	1.7	32.3	56.7	4800	6700	RNA 557222/YB	
	75	25.5	1.1	50.5	87.6	4500	6300	RNA 587525.5	
	72	22	0.6	48.2	80.0	4500	6300	RNA 4910	0.172
58	72	40	0.6	70.2	128	4500	6300	RNA 6910	0.364
	75	27	1.7	42.9	82.0	4500	6300	RNA 587527/YB	
	75	35	1.1	61.7	113.2	4500	6300	RNA 587535	
60	72	25	0.6	43.2	90.8	4000	5600	NK 60/25	0.181
	72	35	0.6	57.5	132	4000	5600	NK 60/35	0.254
63	80	25	1.0	58.5	99	4000	5600	RNA 4911	0.274
	80	45	1.0	87.8	168	4000	5600	RNA 6911	0.54
65	78	25	0.6	45.2	98.8	4000	5600	NK 65/25	0.219
	78	35	0.6	60.2	142	4000	5600	NK 65/35	0.307



## 实体套圈滚针轴承 (无内圈)

Entity bushed needle roller bearing (without inner ring)

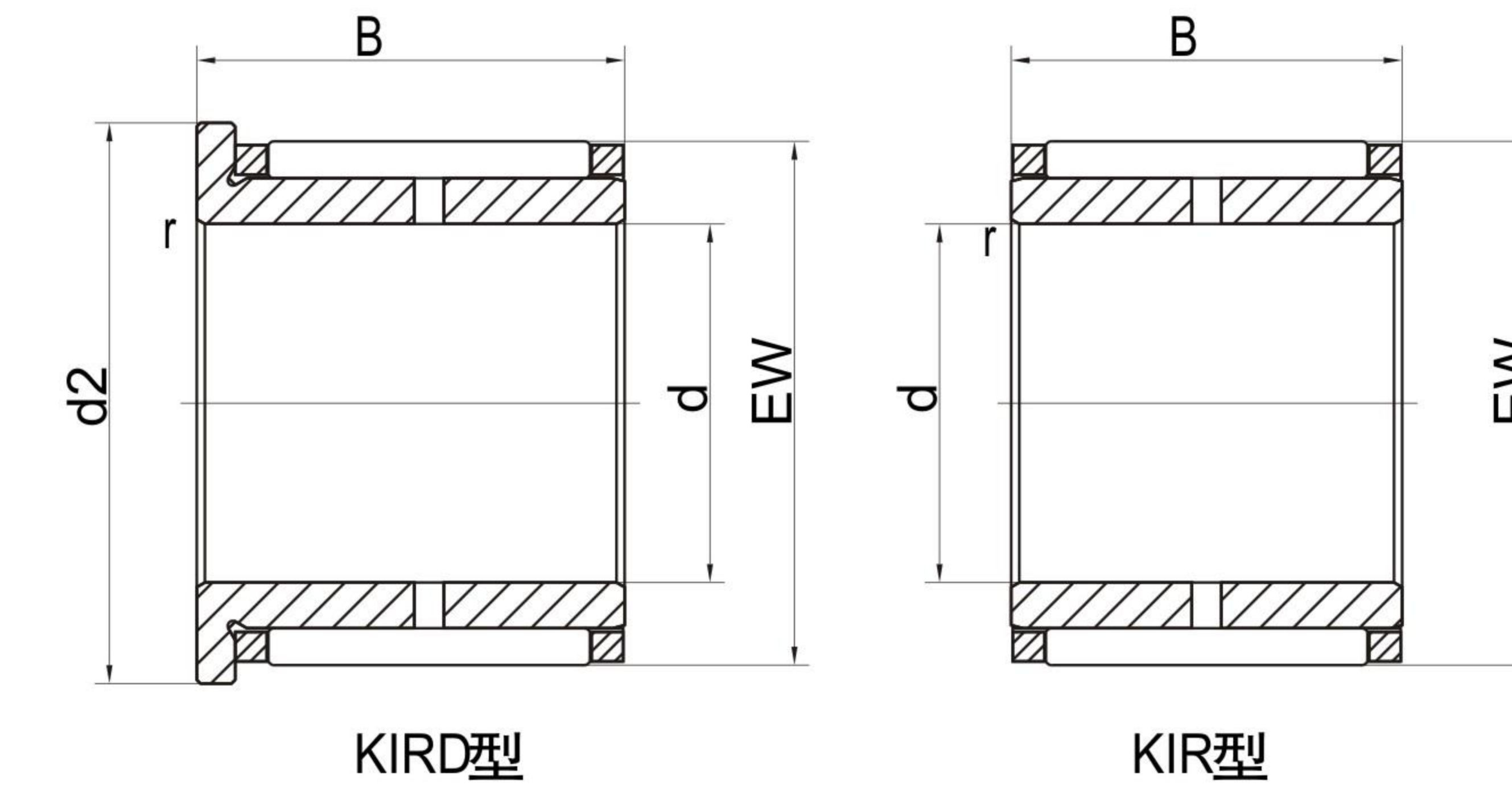
Fw	基本尺寸 (mm) Basic dimension			基本额定载荷 (KN) Basic load rating		极限转速脂油 Limit speed Grease / Oil		轴承代号 Bearing designation	重量 W≈kg Weight
	D	C	r <sub>min</sub>	Cr	Cor	min-1			
68	82	25	0.6	45.5	92	3800	5300	NK 68/25	0.245
	82	35	0.6	66.5	150	3800	5300	K68/35	0.343
	85	25	1.0	61.2	108	3800	5300	RNA 4912	0.294
	85	45	1.0	90.8	182	3800	5300	RNA 6912	0.57
72	90	25	1.0	82.2	112	3600	5000	RNA 4913	0.335
	90	45	1.0	93.2	188	3600	5000	RNA 6913	0.679
73	90	25	1.0	54.2	100	3600	5000	NK 73/25	0.319
	90	35	1.0	79.5	165	3600	5000	NK 73/35	0.448
75	92	25	1.0	55.2	105	3400	4800	NK 75/25	0.328
	92	35	1.0	81.0	170	3400	4800	NK 75/35	0.46
80	95	25	1.0	57.2	112	3200	4500	NK 80/25	0.288
	95	35	1.0	83.8	182	3200	4500	NK 80/35	0.405
	100	30	1.0	84.0	152	3200	4500	RNA 4914	0.491
	100	54	1.0	130	280	3200	4500	RNA 6914	0.857
85	105	25	1.0	69.2	120	3000	4300	NK 85/25	0.429
	105	35	1.0	100	195	3000	4300	NK 85/35	0.600
	105	30	1.0	85.5	158	3000	4300	RNA 4915	0.515
	105	54	1.0	110	270	3000	4300	RNA 6915	0.935
90	110	25	1.0	72.2	130	2800	4000	NK 90/25	0.452
	110	35	1.0	105	210	2800	4000	NK 90/35	0.634
	110	30	1.0	89.0	170	2800	4000	RNA 4916	0.544
90	110	54	1.0	135	292	2800	4000	RNA 6916	0.987
95	115	26	1.0	76.8	142	2400	3600	NK 95/26	0.492
	115	35	1.0	110	225	2400	3600	NK 95/35	0.681
100	120	26	1.0	79.8	152	2400	3600	NK 100/26	0.517
	120	36	1.0	115	242	2400	3600	NK 100/36	0.716
	120	35	1.1	112	235	2400	3600	RNA 4917	0.687
	120	63	1.1	155	365	2400	3600	RNA 6917	1.350
105	125	26	1.0	60.8	158	2200	3400	NK 105/26	0.538
	125	36	1.0	115	250	2200	3400	NK 105/35	0.745
	125	35	1.1	115	250	2200	3400	RNA 4918	0.721
	125	63	1.1	165	388	2200	3400	RNA 6918	1.500
110	130	30	1.1	88.2	205	2000	3200	NK 110/30	0.647
	130	40	1.1	125	285	2000	3200	NK 110/34	0.864
	130	35	1.1	120	285	2000	3200	RNA 4919	0.754
	130	63	1.1	172	412	2000	3200	RNA 6919	0.470
115	140	40	1.1	130	270	2000	3200	RNA 4820	1.180
120	140	30	1.0	93	210	2000	3200	RNA 4822	0.718
125	150	40	1.1	138	205	1900	3000	RNA 4922	1.275
130	150	30	1.0	96.2	225	1900	3000	RNA 4824	0.771
135	165	45	1.1	180	382	1800	2800	RNA 4924	1.870
145	165	35	1.1	118	302	1700	2600	RNA 4826	0.990
150	180	50	1.5	202	460	1600	2400	RNA 4926	2.280
155	175	35	1.1	122	320	1600	2400	RNA 4828	1.050
160	190	50	1.5	210	488	1500	2200	RNA 4928	2.410
165	190	40	1.1	152	395	1500	2200	RNA 4830	1.670
175	200	40	1.1	158	418	1500	2200	RNA 4832	1.760

## 实体套圈滚针轴承 (无外圈)

Entity bushed needle roller bearing (without outer ring)



## 图示 Illustration



## 产品介绍:

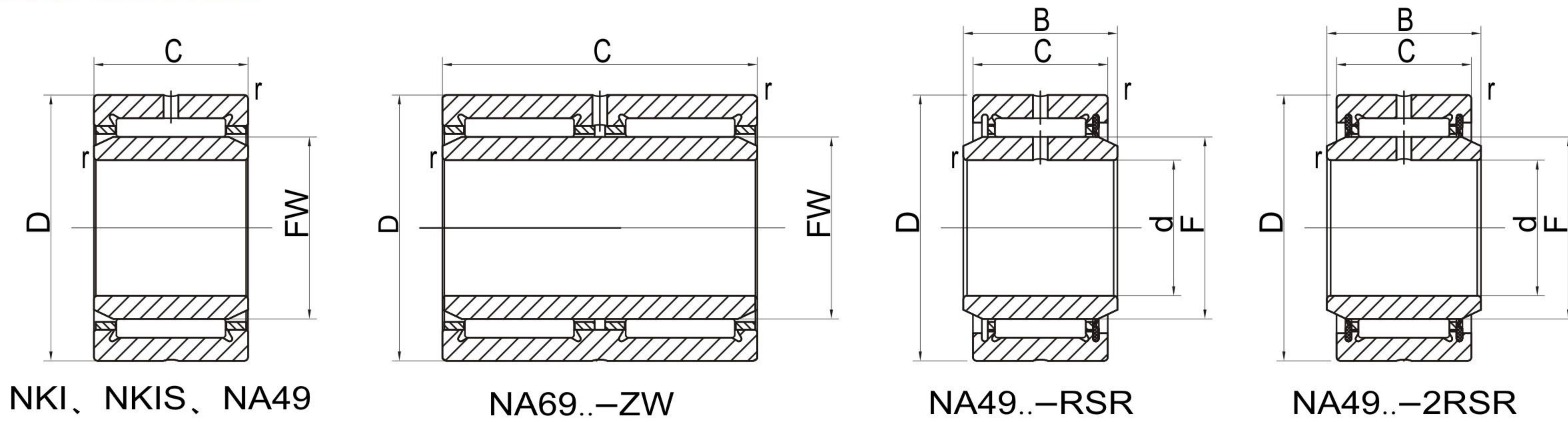
XH可以提供的无外圈实体套圈滚针轴承, 可以对外切圆的公差进行压缩, 此种轴承可以满足重量轻, 占用空间小传递功率大的要求。

## Product introduction:

XH can provide bearings without outer rings, and compress tolerance of excircle. This kind of bearings can meet the requirements of light weight, small space occupation and large transmission power.

d	基本尺寸 (mm) Basic dimension				基本额定载荷 (KN) Basic load rating		极限转速脂油 Limit speed Grease / Oil		轴承代号 Bearing designation	重量 Weight W≈kg
	EW	B	d2	r <sub>min</sub>	Cr	Cor	min-1			
28.575	47.6	32 (31.75)	-	0.52	71.4	98.6	7500	9000	KIR 410	0.2
30	40	24	-	0.5	27.2	53.3	7000	10000	KIR 460	0.07
	47	32.7	55	1.5	32.2	70.4	6300	8500	KIRD 458	1.23
	48	35.4	-	0.3	55	98	6300	8500	KIR 429	0.175
	49	28	59	1	32.4	63.5	6300	8500	KIRD 415	0.24
	54	32	-	0.6	71.4	86.9	6300	8500	KIR 305432	
32	45	25.5	-	0.3	33.4	51.3	6300	9000	KIR 427	0.100
33.85	49	28	48.5	1	32.4	63.5	6300	8500	KIRD 414	0.170
34	45	30	-	0.9	32.6	70	6300	9000	KIR 463	0.100
37	50	31.4	61	1.5	32	70.6	5600	8000	KIRD 457	0.190
38	50	32 (36.7)	-	0.5	27.6	68.4	5600	8000	KIR 401-A	0.145
39.6	53	28.2	-	0.3	54	100	5600	8000	KIR 445	0.140
40	51	31.3	60	0.3	35	82	5600	8000	KIRD 470	0.170
40.4	54	25	-	1.2	32.6	78.7	5300	7500	KIR 413	0.155
43.1	54	27	-	1.5	34.9	81.7	5300	7500	KIR 459	0.16
	54	28.8	53.4	1.2	32.6	78.7	5300	7500	KIRD 441	0.18
	60	25	-	1.2	33.8	83.3	5000	7000	KIR 436	0.27
44.7	54	28	-	0.5	32.6	78.7	5300	7500	KIR 442	0.15
	54	28	53.4	1	32.6	78.7	5300	7500	KIRD 411	0.14
	54	28	59	0.5	32.6	78.7	5300	7500	KIRD 442-A	0.155
44.8	58	28.2	68	0.3	39	87	5000	7000	KIRD 469	0.205
45	58	22.3	-	0.3	36	78	5000	7000	KIR 446	0.13
45.2	58	25	-	1.2	33.2	81.1	5000	7000	KIR 443-1	0.16
	58	28.5	68	1	33.2	81.1	5000	7000	KIRD 412	0.21
	58	29.3	68	1.2	33.2	81.1	5000	7000	KIRD 443	0.22
	60	28.5	68	1	32.4	63.5	5000	7000	KIRD 435	0.25
48	59	28.8	-	0.6	47	110	5000	7000	KIR 451	0.14

图示 Illustration



产品介绍:

XH可提供带实体内圈和(或)外圈的滚针轴承。从技术角度来考虑,他具有较小的体积及较高的承载能力。

Product introduction:

XH can provide needle roller bearings with entity inner ring and (or) outer ring. Technically, these bearings have smaller size and higher loading capacity.

d	基本尺寸 (mm) Basic dimension				基本额定载荷(KN) Basic load rating		极限转速脂油 Limit speed Grease / Oil		轴承代号 Bearing designation	重量 Weight W≈kg
	D	B	F	r <sub>min</sub>	Cr	Cor	min-1			
15	27	16	19	0.3	13.2	17.5	10000	16000	NKI 15/16	0.0397
	27	20	19	0.3	16.8	23.5	10000	16000	NKI 15/20	0.0497
	28	13	20	0.3	10.2	12.8	10000	16000	NA 4902	0.0359
	28	23	20	0.3	17.5	25.2	10000	16000	NA 6902	0.0637
17	29	16	21	0.3	13.8	18.8	9500	15000	NKI 17/16	0.0433
	29	20	21	0.3	17.5	25.5	9500	15000	NKI 17/20	0.0543
	30	13	22	0.3	11.2	14.5	9500	15000	NA 4903	0.0394
	30	23	22	0.3	19	28.8	9500	15000	NA 6903	0.0699
20	32	16	24	0.3	15.2	22.2	9000	14000	NKI 20/16	0.0493
	32	20	24	0.3	19.2	30.2	9000	14000	NKI 20/20	0.0617
	37	17	25	0.3	21.2	25.2	9000	14000	NA 4904	0.0799
	37	30	25	0.3	35.2	48.5	9000	14000	NA 6904	0.141
	42	20	28	0.6	31.9	40.9	8000	12000	NKIS 20	0.129
22	34	16	26	0.3	15.5	23.5	9000	13000	NKI 22/16	0.0529
	34	20	26	0.3	19.8	32	9000	13000	NKI 22/20	0.0661
	39	17	28	0.3	23.2	29.2	9000	13000	NA 49/22	0.0854
	39	30	28	0.3	36.5	56.2	9000	13000	NA 69/22	0.151
25	38	20	29	0.3	22.2	34	8000	12000	NKI 25/20	0.0786
	38	30	29	0.3	32.7	55.8	8000	12000	NKI 25/30	0.119
	42	17	30	0.3	24	31.2	8000	12000	NA 4905	0.0947
	42	30	30	0.3	40	60.2	8000	12000	NA 6905	0.167
28	42	20	32	0.3	23.5	37.8	7500	11000	NKI 28/20	0.0964
	42	30	32	0.3	35.5	64.2	7500	11000	NKI 28/30	0.145
	45	17	32	0.3	24.8	33.2	7500	11000	NA 48/28	0.104
	45	30	32	0.3	41.5	64.2	7500	11000	NA 69/28	0.163
30	45	20	35	0.3	24.8	41.5	7000	10000	NKI 30/20	0.112
	45	30	35	0.3	37.5	70.5	7000	10000	NKI 30/30	0.169
	47	17	35	0.3	25.5	35.5	7000	10000	NA 4906	0.108
	47	30	35	0.3	42.8	68.5	7000	10000	NA 6906	0.191

d	基本尺寸 (mm) Basic dimension				基本额定载荷(KN) Basic load rating		极限转速脂油 Limit speed Grease / Oil		轴承代号 Bearing designation	重量 Weight W≈kg
	D	B	F	r <sub>min</sub>	Cr	Cor	min-1			
32	47	20	37	0.3	25.2	43.2	6300	9000	NKI 32/20	0.118
	47	30	37	0.3	38.2	74	6300	9000	NKI 32/30	0.178
	52	20	40	0.6	31.5	48.5	6300	9000	NA 49/32	0.168
	52	36	40	0.6	48	83.2	6300	9000	NA 69/32	0.29
35	50	20	40	0.3	26.5	47.2	6300	9000	NKI 35/20	0.127
	50	30	40	0.3	40	80.2	6300	9000	NKI 35/30	0.191
	55	20	42	0.6	32.5	51	6300	8500	NA 4907	0.181
	55	36	42	0.6	49.5	87.2	6300	8500	NA 6907	0.31
	58	22	41	0.6	39.4	52.9	5600	8000	NKI 35/22TN/P6	
38	53	20	43	0.3	27.5	50.8	5600	8000	NKI 38/20	0.136
	53	30	43	0.3	41.5	86.5	5600	8000	NKI 38/30	0.205
40	55	20	45	0.3	28.9	54.9	5300	7500	NKI 40/20	0.142
	55	30	45	0.3	42.5	89.8	5300	7500	NKI 40/30	0.214
	62	22	48	0.6	43.5	66.2	5000	7000	NA 4908	0.24
	62	40	48	0.6	62.8	108	5000	7000	NA 6908	0.426
42	57	20	47	0.3	29.2	56.5	5000	7000	NKI 42/20	0.148
	57	30	47	0.3	44.2	96.2	5000	7000	NKI 42/30	0.223
45	62	25	50	0.6	38.8	74.2	4800	6700	NKI 45/25	0.225
	62	35	50	0.6	51.8	108	4800	6700	NKI 45/35	0.314
	68	22	52	0.6	46	73	4800	6700	NA 4909	0.284
50	68	40	52	0.6	67.2	118	4800	6700	NA 6909	0.437
	68	25	55	0.6	41	82.5	4500	6300	NKI 50/25	0.267
	68	35	55	0.6	50.7	121.8	4500	6300	NKI 50/35	0.373
	72	22	58	0.6	48.2	80	4500	6300	NA 4910	0.287
120	72	40	58	0.6	70.2	128	4500	6300	NA 6910	0.529
	150(156)	30	130	1	97	227.1	1700	2800	NA4824R	
	155	30	130	1	97	227.1	1700	2800	NA4824X1N/YA	